

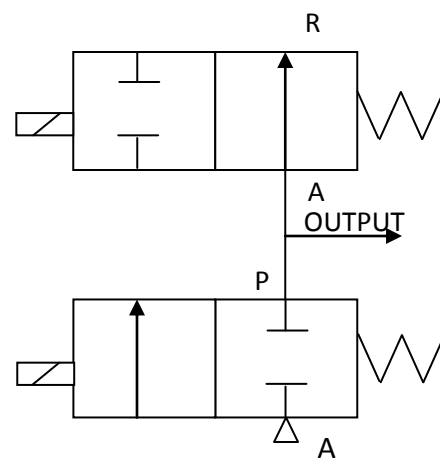
DIRECT OPERATED SOLENOID VALVE, BLEED FEED TYPE.

(SAFE MODE) D1X282

VALVE CHARACTERISTICS:

VALVE FUNCTION:	BLEED/FEED (SEE VALVE SIMBOLS)
ORIFICE:	.0625 in (1.6mm) Cv=.04
PRESSURE RANGE:	0-20 psig
VOLTAGE:	24 Vdc
POWER:	1 Watt
CONNECTOR TYPE:	In-line (Electronic)
VALVE PORTS AND MOUNTING:	10-32 (M5x.8)
SEALS:	NBR (BUNA N)
TEMPERATURE RANGE:	0° To 150°F (-18° To 65°C)
MEDIA:	Air and inert gases.
FILTRATION	40 micron
LUBRICATION	Not Required

VALVE SYMBOLS:



DRAWING:

