

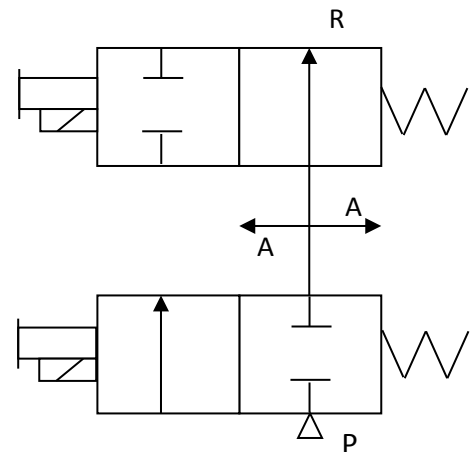
DIRECT OPERATED SPECIAL DOUBLE SOLENOID VALVE

D1X362

VALVE CHARACTERISTICS:

VALVE FUNCTION:	BLEED/FEED (SEE VALVE SYMBOLS)
ORIFICE:	.062 in (1.6mm) Cv=.04
PRESSURE RANGE:	0-25 psig
VOLTAGE:	24 VDC
POWER:	0.6 Watt
CONNECTOR TYPE:	PC Board
VALVE PORTS AND MOUNTING:	10-32 (M5x.8), PC Board Mounting
SEALS:	NBR (BUNA N)
TEMPERATURE RANGE:	0° To 150°F (-18° To 65°C)
MEDIA:	Air and inert gases.
FILTRATION	40 micron
LUBRICATION	Not Required

VALVE SYMBOLS:



DRAWING:

