

DIRECT OPERATED SOLENOID VALVE

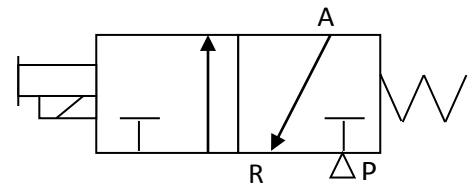
D1X417-2

VALVE CHARACTERISTICS:

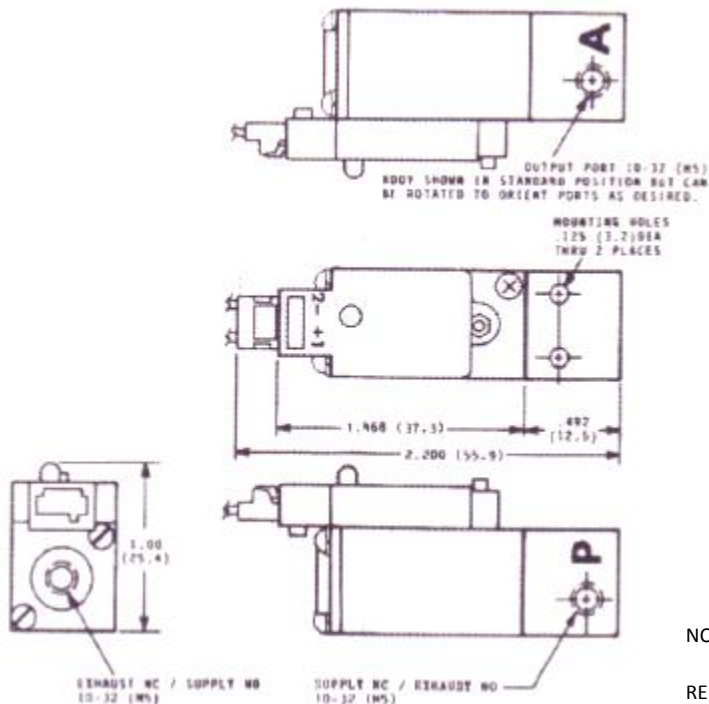
VALVE FUNCTION:	3 WAY
ORIFICE:	.089 in (2.3mm) Cv=.055
PRESSURE RANGE:	0-20 psig
VOLTAGE:	24 Vdc
POWER:	1.2 Watts
CONNECTOR TYPE:	ELECTRONIC
VALVE PORTS AND MOUNTING:	10-32 (M5x.8), PORTS IN BODY
SEALS:	NBR (BUNA N)
TEMPERATURE RANGE:	0° To 122°F (-18° To 50°C)
MEDIA:	Air and inert gases.
FILTRATION	40 micron
LUBRICATION	Not Required

VALVE SYMBOLS:

NORMALLY CLOSE



DRAWING:



NOTE:

REMOVABLE ELECTRONIC CONNECTOR NOT SHOWN