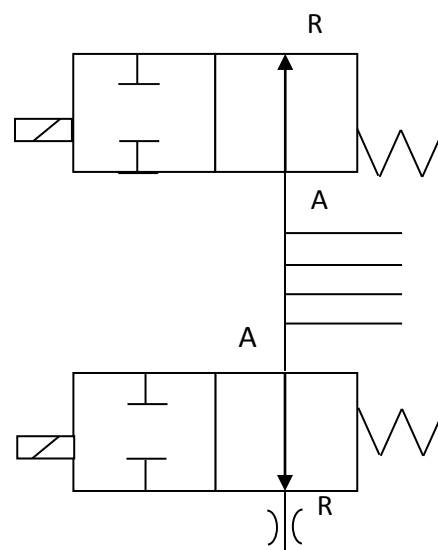
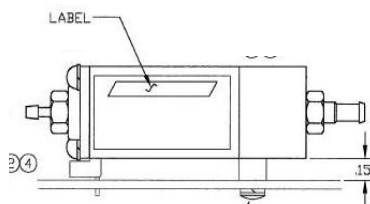
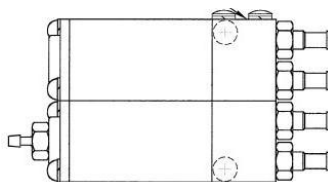


**DIRECT OPERATED SOLENOID VALVE, BLEED FEED TYPE.****D1X449-3R****VALVE CHARACTERISTICS:**

VALVE FUNCTION:	BLEED/FEED (SEE VALVE SYMBOLS)
ORIFICE:	.031 in (.8mm) Cv=.02 / RESTRICTOR .32 mm
PRESSURE RANGE:	0-170 mm Hg
VOLTAGE:	5 Vdc
POWER:	.5 Watt
CONNECTOR TYPE:	PCB
VALVE PORTS AND MOUNTING:	3/32" TUBE ID FITTINGS/DYNAMCO RF132 FIXED RESTRICTOR.
SEALS:	NBR (BUNA N)
TEMPERATURE RANGE:	0° To 150°F (-18° To 65°C)
MEDIA:	Air and inert gases.
FILTRATION	40 micron
LUBRICATION	Not Required

**VALVE SYMBOLS:****DRAWING:**

2-56 X 1/4" LG. BINDER HEAD  
MOUNTING SCREW WITH  
LOCKWASHER (2) PLCS.  
(BY CUSTOMER)