

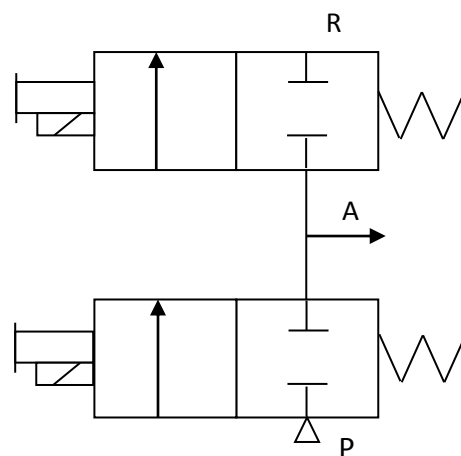
# DIRECT OPERATED SOLENOID VALVE

## D1X555-3

### VALVE CHARACTERISTICS:

VALVE FUNCTION:	BLEED/FEED (SEE VALVE SYMBOLS)
ORIFICE:	.062 in (1.2 mm) Cv=.04
PRESSURE RANGE:	0-110 psig
VOLTAGE:	24 Vdc
POWER:	2.5 Watt
CONNECTOR TYPE:	Electronic (in line)
VALVE PORTS AND MOUNTING:	10-32 (M5x.8)
SEALS:	NBR (BUNA N)
TEMPERATURE RANGE:	0° To 122°F (-18° To 50°C)
MEDIA:	Air and inert gases.
FILTRATION	40 micron
LUBRICATION	Not Required

### VALVE SYMBOLS:



### DRAWING:

