

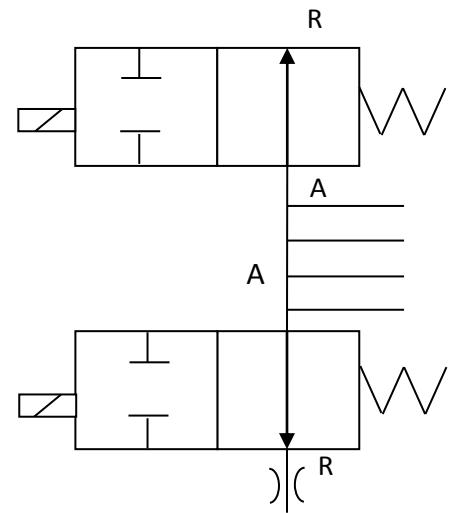
DIRECT OPERATED SOLENOID VALVE, BLEED FEED TYPE.

D1X607

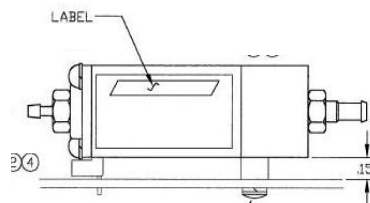
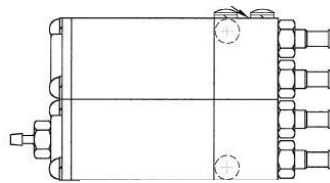
VALVE CHARACTERISTICS:

VALVE FUNCTION:	BLEED/FEED (SEE VALVE SIMBOLS)
ORIFICE:	.031 in (.8mm) Cv=.02
PRESSURE RANGE:	0-20 psig
VOLTAGE:	12 Vdc
POWER:	.5 Watt
CONNECTOR TYPE:	PCB
VALVE PORTS AND MOUNTING:	3/32" TUBE ID FITTINGS/DYNAMCO RF132 FIXED RESTRICTOR.
SEALS:	NBR (BUNA N)
TEMPERATURE RANGE:	0° To 150°F (-18° To 65°C)
MEDIA:	Air and inert gases.
FILTRATION	40 micron
LUBRICATION	Not Required

VALVE SYMBOLS:



DRAWING:



2-56 X 1/4" LG. BINDER HEAD
MOUNTING SCREW WITH
LOCKWASHER (2) PLCS.
(BY CUSTOMER)